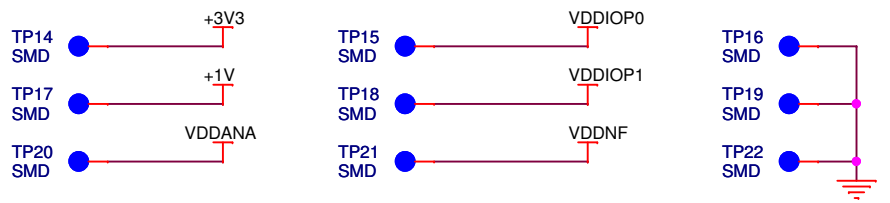
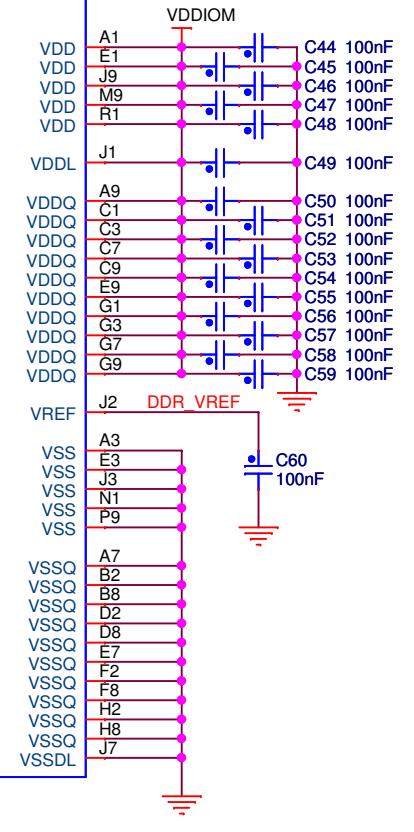
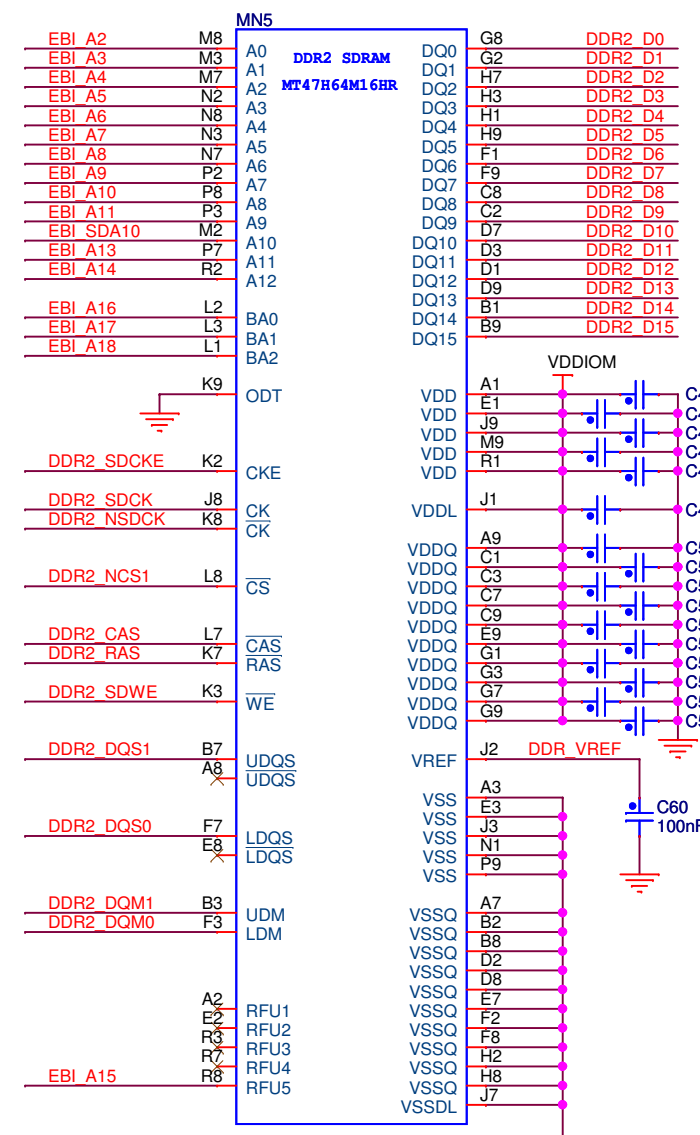
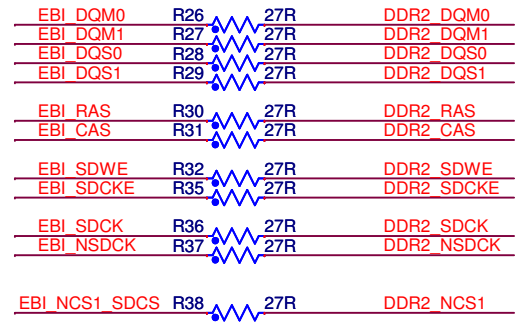
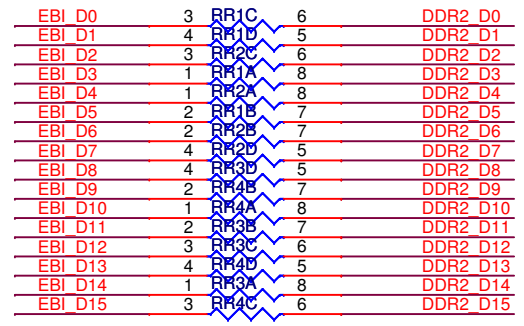
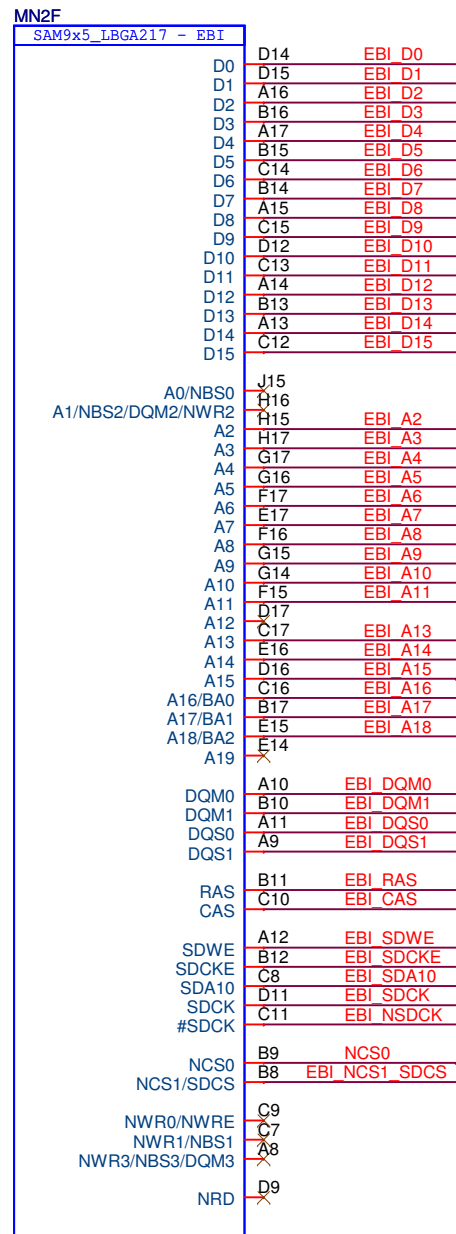
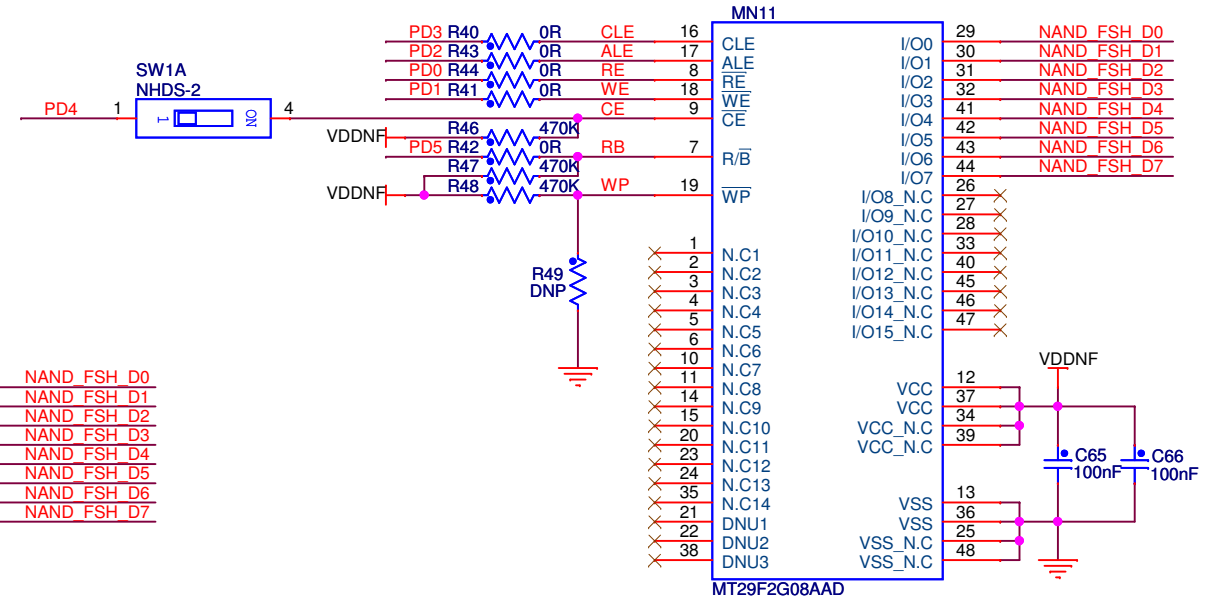
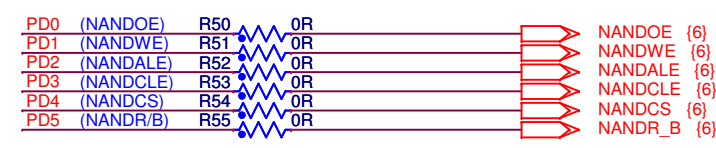
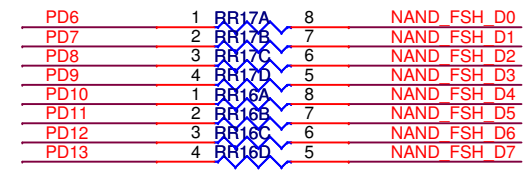
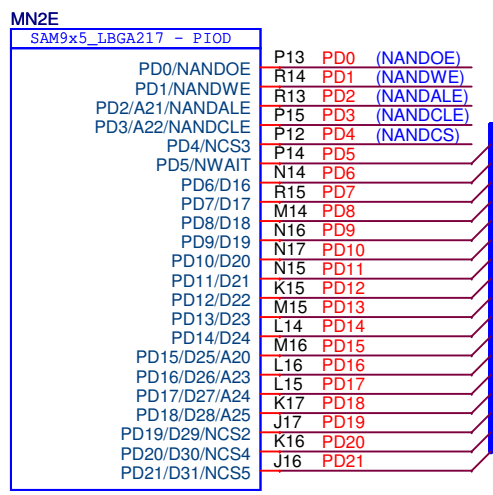
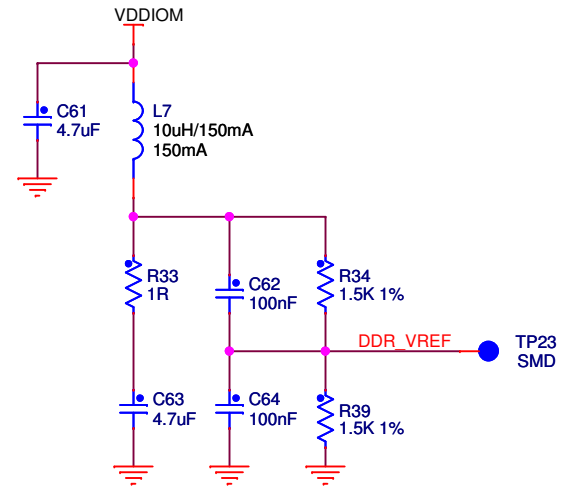


- NTRST ● TP3 SMD
- TDI ● TP4 SMD
- TMS ● TP5 SMD
- TCK ● TP6 SMD
- RTCK ● TP8 SMD
- TD0 ● TP9 SMD
- NRST ● TP10 SMD
- WKUP ● TP12 SMD
- SHDN ● TP13 SMD





**DDR2 SDRAM**

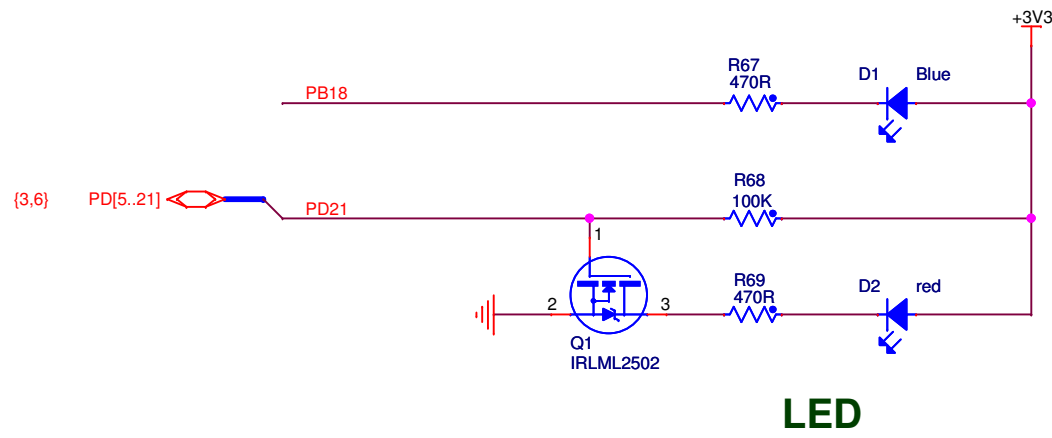
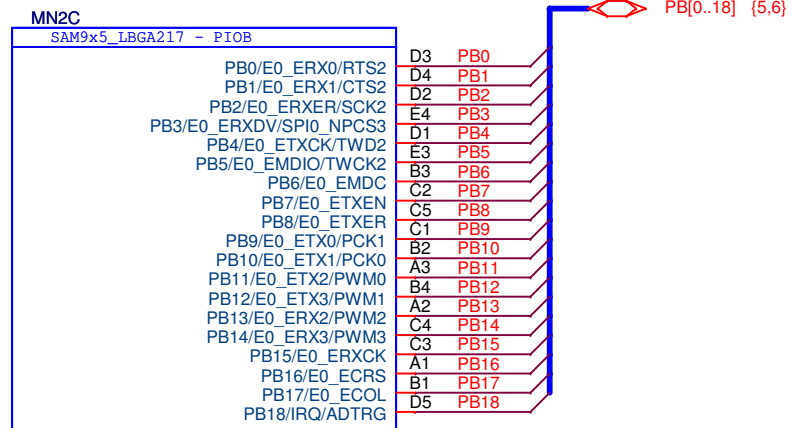
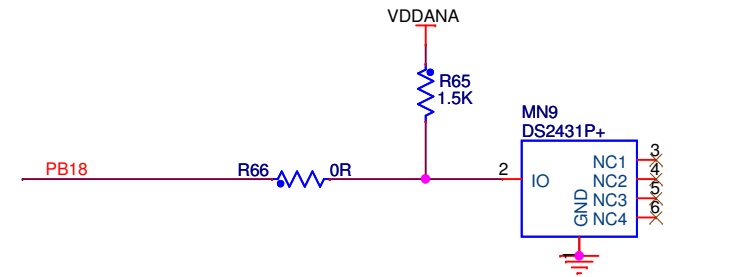
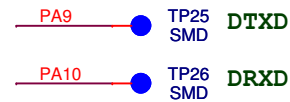
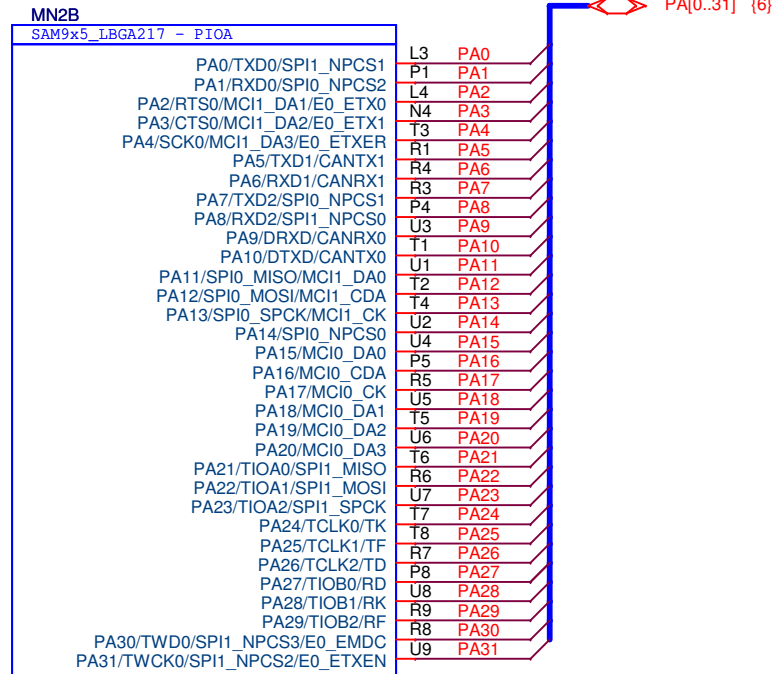
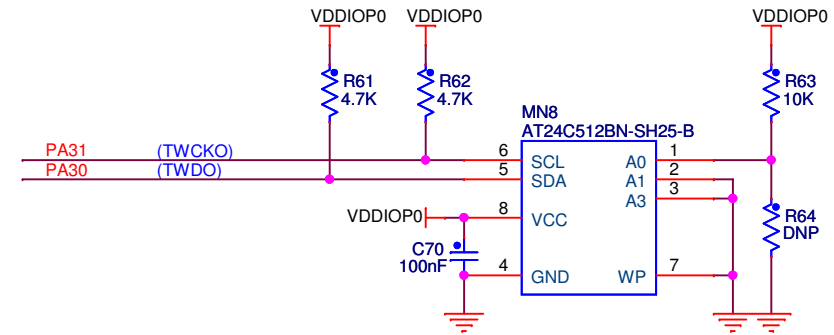
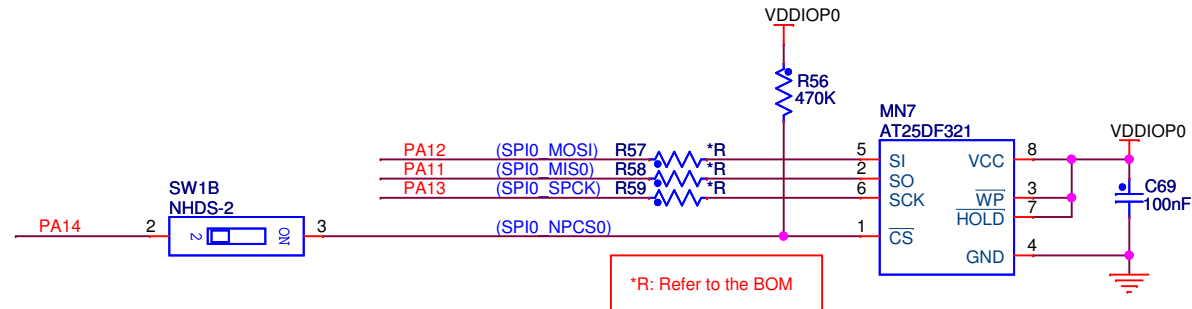
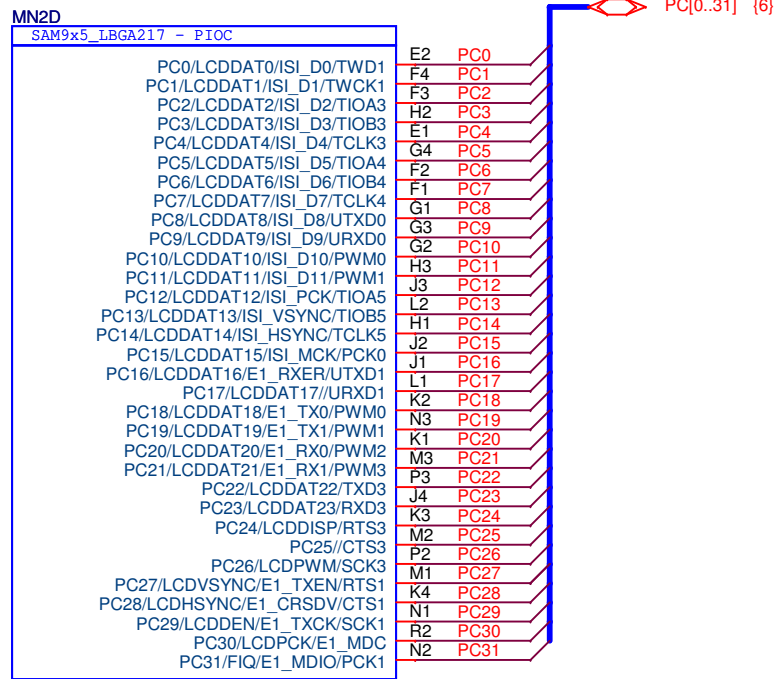


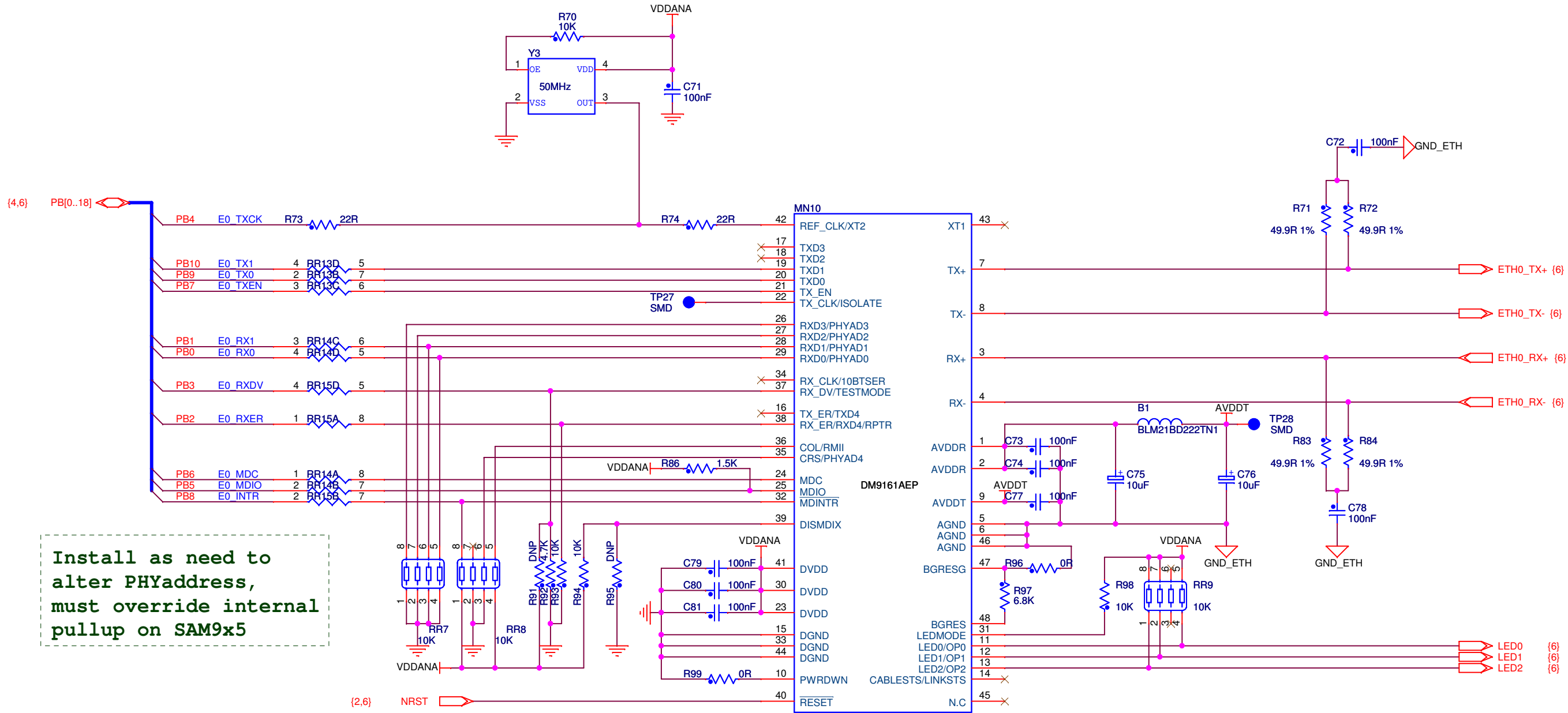
**NAND FLASH**

**mbest** <http://arm.embedinfo.com>

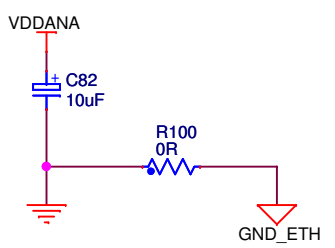
Title: SAM9X5-CM

Size: A3	Document Number: SAM9X5-II&DDR2&NAND	Rev: B
Draw By: Zhu Xueliang	Date: Wednesday, July 20, 2011	Sheet: 3 of 6

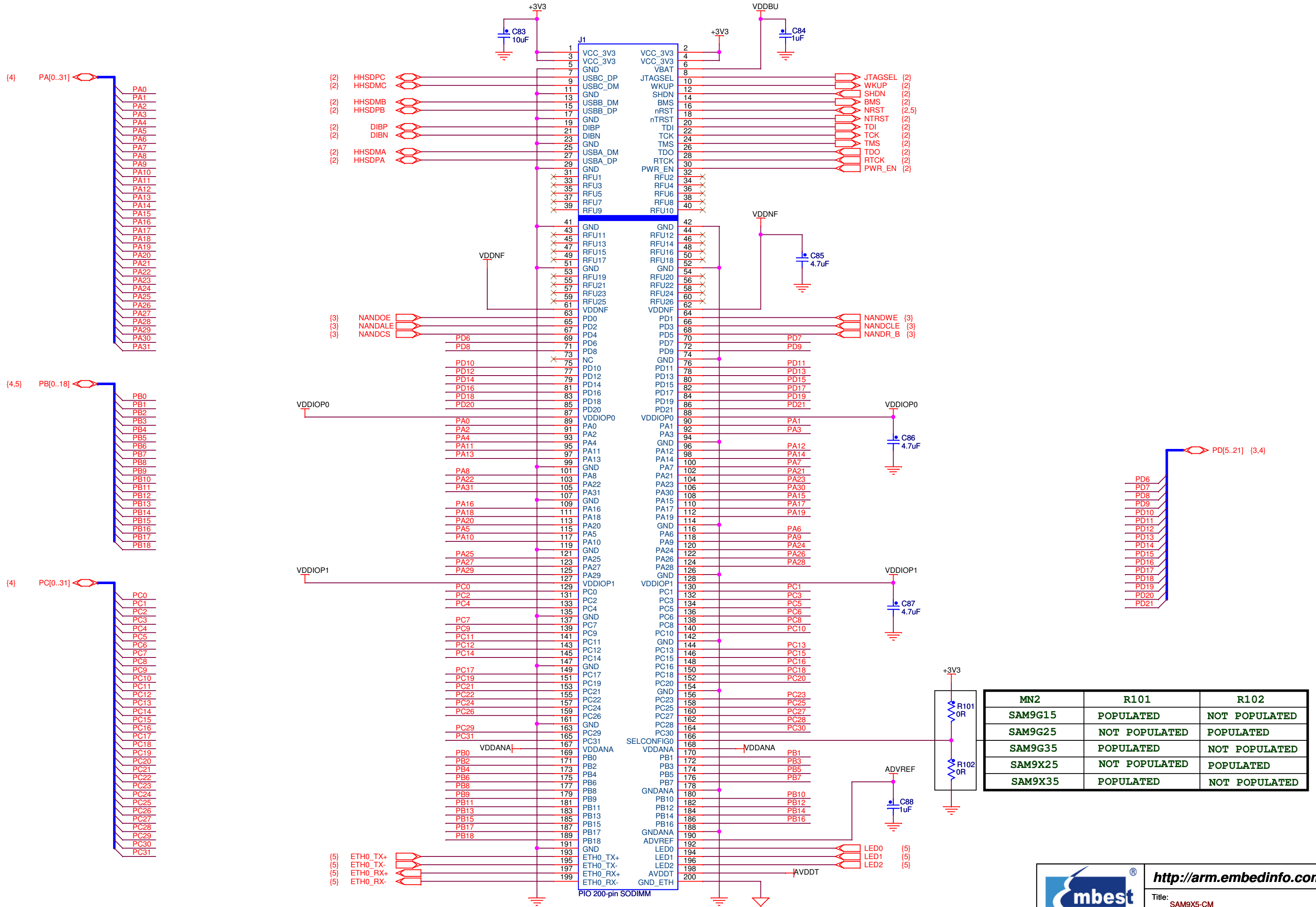




Install as need to alter PHYaddress, must override internal pullup on SAM9x5



**ETH0**  
(Optional design only, DNP all this page)



MN2	R101	R102
SAM9G15	POPULATED	NOT POPULATED
SAM9G25	NOT POPULATED	POPULATED
SAM9G35	POPULATED	NOT POPULATED
SAM9X25	NOT POPULATED	POPULATED
SAM9X35	POPULATED	NOT POPULATED


<http://arm.embedinfo.com>  
 Title: SAM9X5-CM